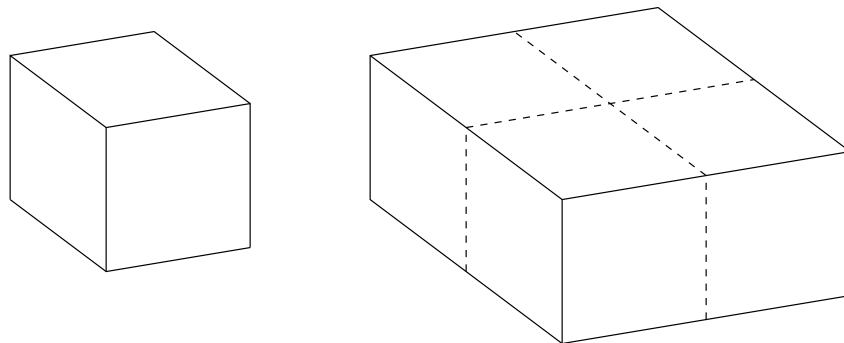


I U P U I
MATH CLUB TEASER #47

September 17, 2010
(due September 24, 2010)

The unfathomable Professor Zerep spilled the building blocks of little Cybil who now is upset. There are three unit cubes and six 2×2 blocks, and the Professor must fit them all in their 3×3 box before little Cybil starts crying.



Can you help the Professor?

The IUPUI Math Club invites everybody to submit solutions to its weekly recreational mathematics problem. Interested individuals and teams of up to four participants must submit a cover sheet (available at jagmath.usg.iupui.edu) together with their written solution. At the end of the semester, every IUPUI student that sent a correct solution will receive a certificate of merit. Prizes will be distributed among the IUPUI undergraduate teams that submit the most correct solutions.

Solutions are due one week after each problem is posted, and should be faxed to (317) 274-3460, dropped off in person at LD 270, or sent by campus or U.S. mail to:

Math Club Teaser
Dept. of Mathematical Sciences
IUPUI, LD-270
402 N. Blackford Street
Indianapolis, IN 46202